







Warnings – Please Read Before Operating your Device

	THE DEVICE IS NOT CHARGED WHEN YOU TAKE IT OUT OF THE BOX, YOU WILL NOT BE ABLE TO TURN YOUR DEVICE ON UNTIL IT IS FULLY CHARGED. (For information, see “Step 2: Charge the battery” below)
	IN MANY COUNTRIES YOU ARE REQUIRED BY LAW TO TURN YOUR PHONE OFF WHEN YOU FLY. TURNING OFF YOUR POCKET PC DOESN'T TURN OFF YOUR PHONE; YOU MUST TURN OFF YOUR WIRELESS CONNECTION TO YOUR OPERATOR'S NETWORK. (For more information please refer to your Pocket PC Phone Quick Start Guide”).
	WHEN YOU INSERT YOUR SIM CARD MAKE SURE IT CLICKS INTO PLACE. (For more information, see “Step 1: Insert the SIM card” below)
	MAKE SURE THE SIM DOOR IS CLOSED – YOUR DEVICE CANNOT BE TURNED ON IF THE SIM DOOR IS OPEN. (For more information, see “Step 1: Insert the SIM card” below)
	YOUR WARRANTY IS INVALIDATED IF YOU OPEN OR TAMPER WITH THE DEVICE'S OUTER CASING. (For more information, see the enclosed warranty card)
	DAMAGE TO THE MICRO-SWITCH LOCATED BEHIND THE SIM DOOR WHICH COULD BE CAUSED BY THE INCORRECT POSITIONING OF THE STYLUS WHEN REMOVING YOUR SIM CARD IS NOT COVERED BY THE DEVICE WARRANTY (For more information, see “Removing the SIM card” below).

Setting Up Your Device

Follow the steps outlined below in order. If you want to utilize your device's wireless data and/or voice capabilities, go to **Step 1**; if you only plan to use the PDA features jump to **Step 2**.

You can start using your device's wireless voice and/or data capabilities at anytime in the future by going through **Step 1**.

Step 1: Insert the SIM card

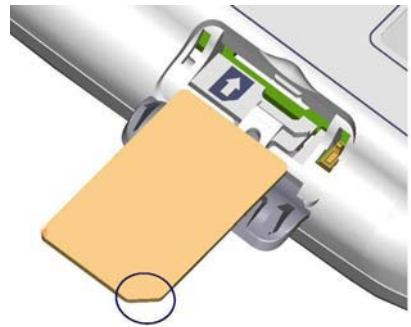
- ◆ Remove the stylus.



- ◆ Turn over your device and open the SIM door with the stylus.



- ◆ Slide the SIM card into the slot until it **clicks** into place.



DON'T FORGET TO CLOSE THE SIM DOOR BEFORE PROCEEDING.

▣ Removing the SIM card



MAKE SURE YOU HAVE SAVED ANY DATA IN OPEN PROGRAMS: OPENING THE SIM DOOR WILL TURN YOUR DEVICE OFF

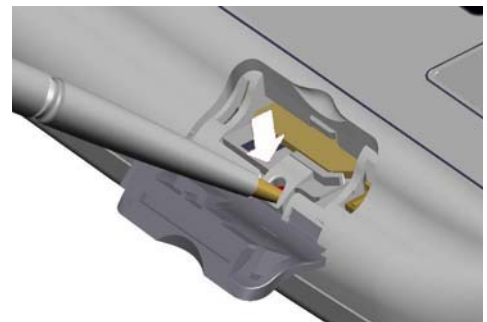
- ◆ Remove the stylus.



- ◆ Turn over your device and open the SIM door with the stylus.

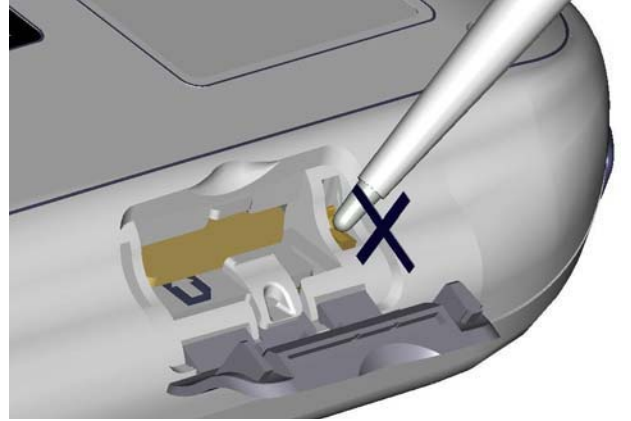


- Press the point of your stylus into the hole until the SIM card springs out; then use your fingers to finish removing.



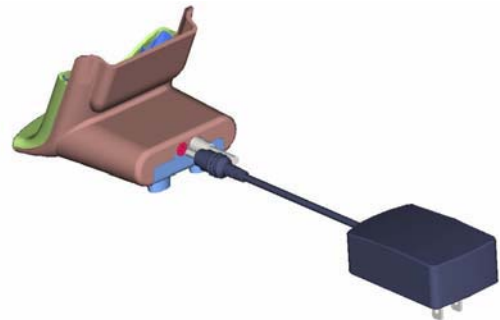
! PLEASE PAY PARTICULAR ATTENTION TO THE STYLUS POSITIONS IN THE PICTURE ABOVE RELATED TO REMOVING THE SIM CARD, AND IN THE PICTURE TO THE RIGHT. DO NOT PUT THE STYLUS IN THE HOLE IN THE PICTURE TO THE RIGHT: IT WILL CAUSE IRREPARABLE DAMAGE TO YOUR DEVICE.

SUCH DAMAGE IS CONSIDERED AS MISUSE AND WILL NOT BE COVERED BY WARRANTY SERVICE.

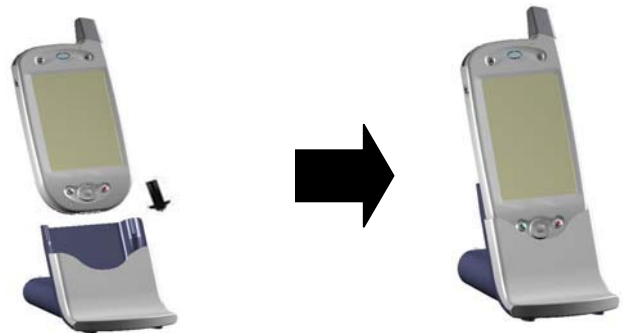


Step 2: Charge the Battery

- ◆ Insert the AC adapter into the back of the cradle, and then plug into the mains.



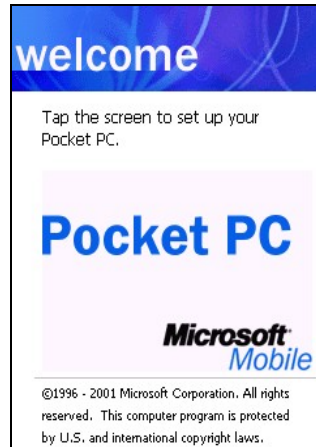
- ◆ Dock your Pocket PC in its cradle and **fully charge** for 3 hours - A steady amber LED indicates charging; solid green fully charged.



▣ Check that the SIM door is closed before charging your pocket PC and/or switching on.

Step 3: Follow the Setup Wizard

- ◆ When the **Welcome Wizard Screen** appears, tap with your stylus.



- ◆ The wizard's onscreen instructions will lead you through the rest of the setup process.
- ◆ Follow the instructions on screen, you may see the screen for ready to operate.

